

Euro-Top EMC Ampacity

Discover our unique EMC cable gland with high current carrying capacity rel. to IEC 60512-5-2



EURO-TOP EMC AMPACITY

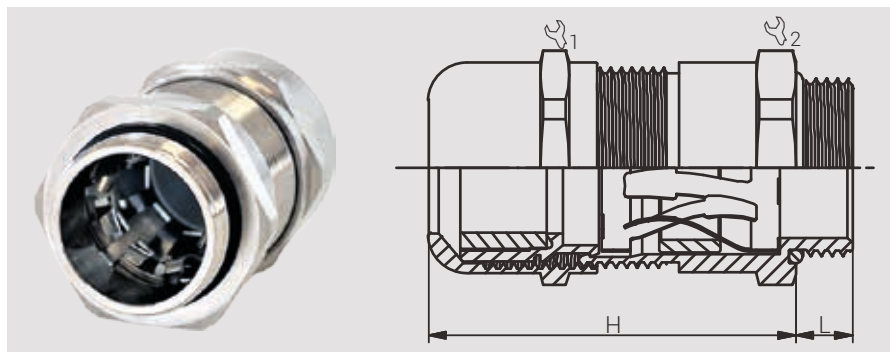
Material	Nickel Plated Brass
Sealing	Chloroprene
Clamping Insert	Polyamide 6
O-Ring	Perbunan
Contact Spring	Special Copper Alloy
Protection class	IP68 - 5bar (30 min.)



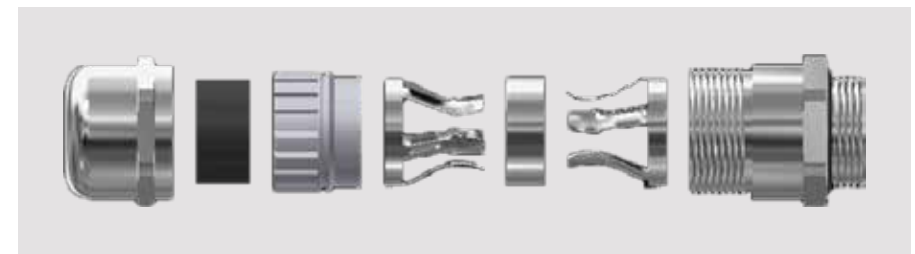
Temperatures	-20°C bis +100°C intermittent -40°C bis +150°C
Note	Very easy and fast to assemble; vibration-tested; patented, active contact system; easy disassembling; improved EMC performance; reduced ohmic resistance and voltage drop.

Article	Entry Thread	Clamping Range (mm)	
		≥	≤
61086520AMP	M 20x1,5	6,0	12,0
61086522AMP	M 20x1,5	7,5	14,0
61086525AMP	M 25x1,5	10,0	18,0
61086532AMP	M 32x1,5	16,0	25,0
61086540AMP	M 40x1,5	22,0	32,0

Shield Diameter (mm)		1/2	L (mm)	H (mm)
≥	≤			
4,5	10,0	22/22	8,0	42,5
5,5	11,0	24/24	8,0	47,0
7,0	14,0	30/30	8,0	52,0
12,0	20,0	40/40	9,0	60,0
18,0	27,0	50/50	9,0	66,5



In the case of the **Euro-Top EMC Ampacity**, two EMC contact spring systems were compared, which leads to an increase in the contact cross-section between the cable shield and the cable gland. This significantly increases the current carrying capacity of the gland, which is beneficial, among other things, for rail applications.



Advantages:

- high current carrying capacity rel. to IEC 60512-5-2
- superb damping rate up to very high frequencies
- shock and vibration resistant
- Strain Relief according EN 62 444
- IP 66, IP 68 and IP 69
- Easy installation and handling

Product inquiry

Would you like to receive further information, samples or a quote from us? Please send us the completed form by fax to » +49 5407 8766-99 or complete the form online at » www.ampacity.info

M 20 M 20 M 25 M 32 M 40
KB: 6-12mm KB: 7,5-14mm KB: 10-18mm KB: 16-25mm KB: 22-32mm

Euro-Top EMC Ampacity

Sample Additional information material Personal product consultation

Company

Last name; first name

Street; postal code; city

Phone

Fax

E-mail

Message

RST Rabe-System-Technik und Vertriebs-GmbH
Otto-Lilienthal-Strasse 19
49134 Wallenhorst
DEUTSCHLAND

 +49 5407 8766-0
 +49 5407 8766-99
 info@rst.eu
 www.rst.eu



www.rst.eu